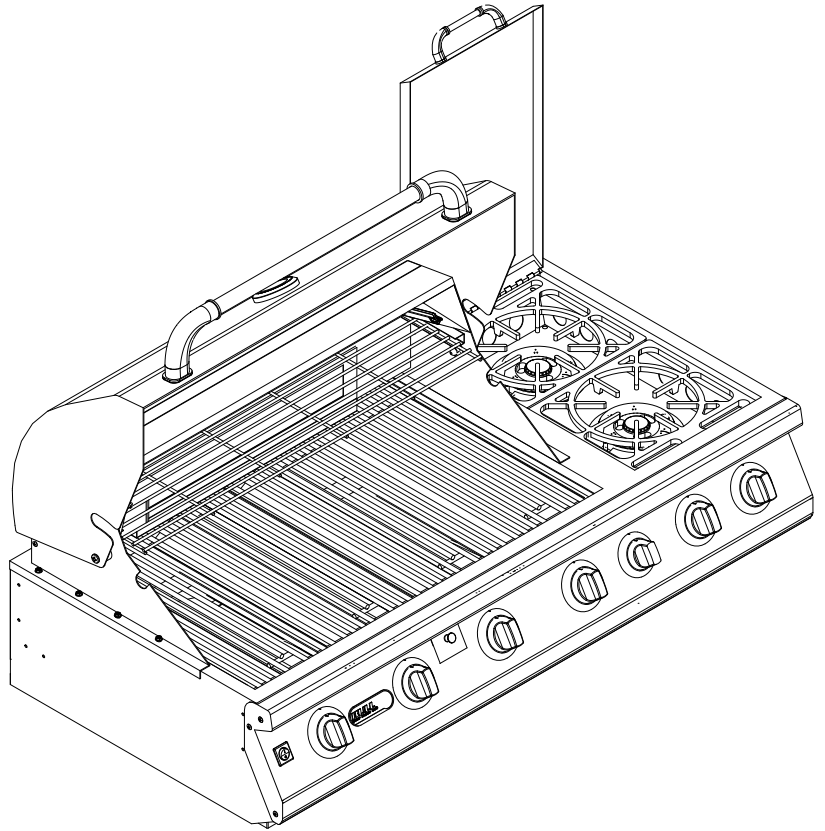


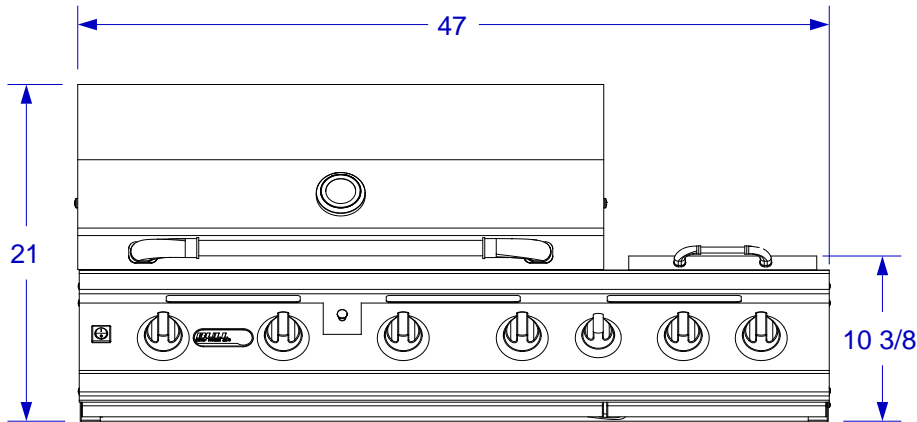


BULL 7 BURNER GRILL SPEC SHEET

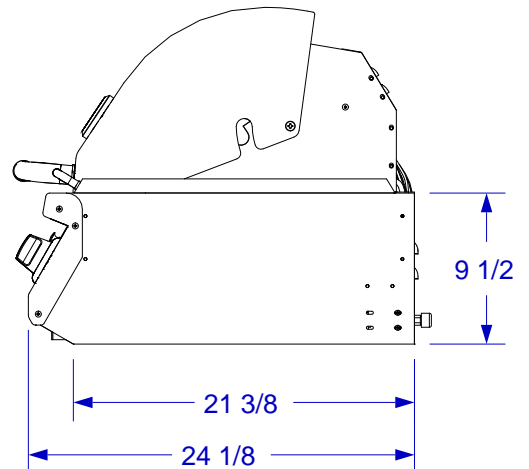
*ISLAND MUST BE CONSTRUCTED WITH NON-COMBUSTIBLE MATERIALS; REFER TO GRILL OWNERS MANUAL



ISOMETRIC VIEW



FRONT VIEW



RIGHT SIDE VIEW

NOTES:

1. CUTOUT DIMENSIONS: 47 3/4"W X 22"L X 10 1/2"D
2. SCALE: 1" = 1'-0"
3. REVISION: 01/2012