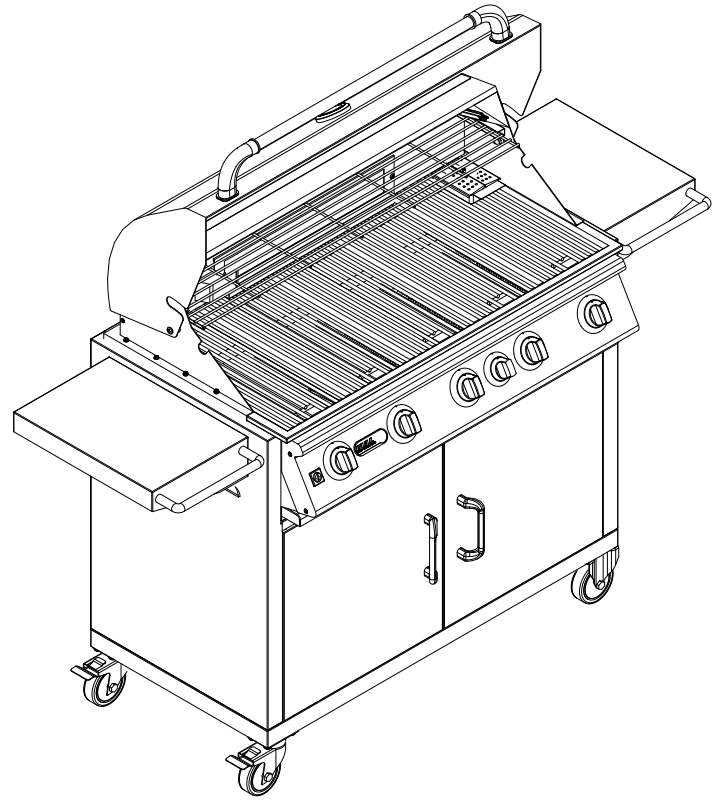


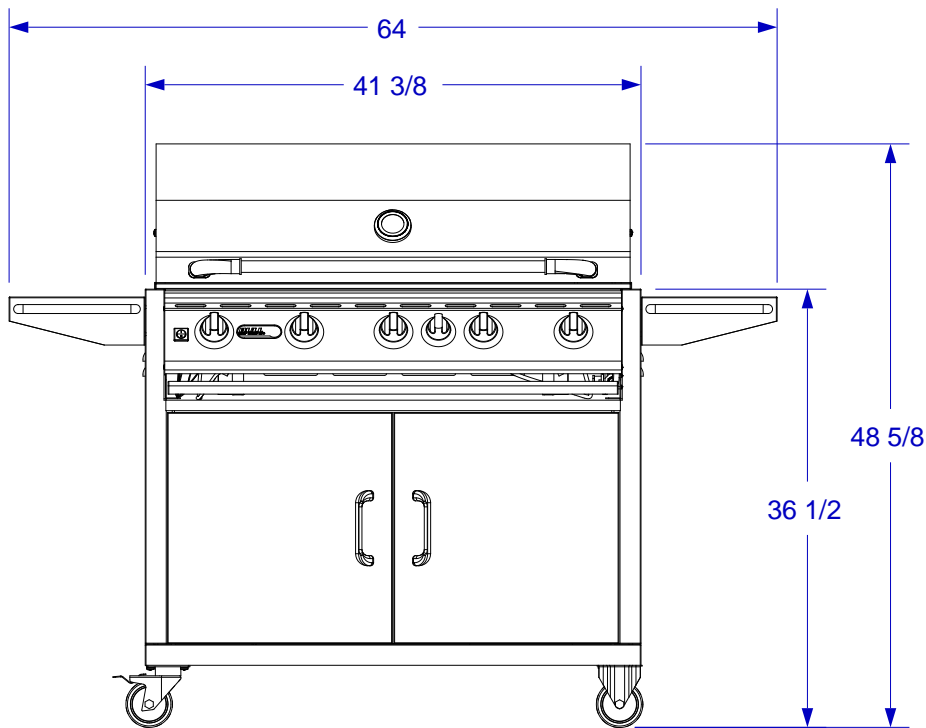


# BRAHMA CART

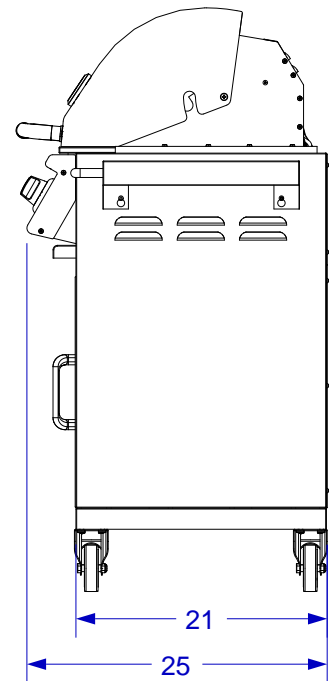
## SPEC SHEET



ISOMETRIC VIEW



FRONT VIEW



RIGHT SIDE VIEW

**NOTES:**

1. SCALE: 3/4" = 1'-0"
2. REVISION: 10/2009