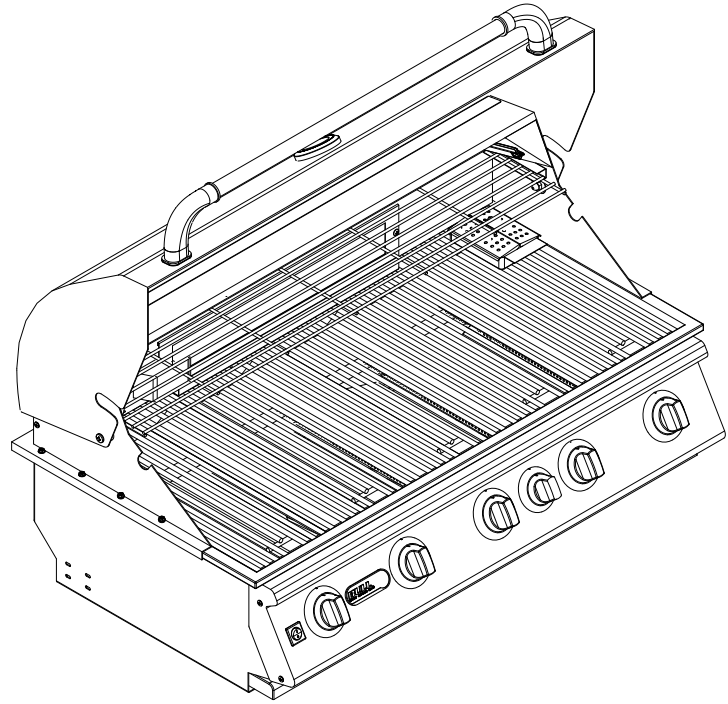




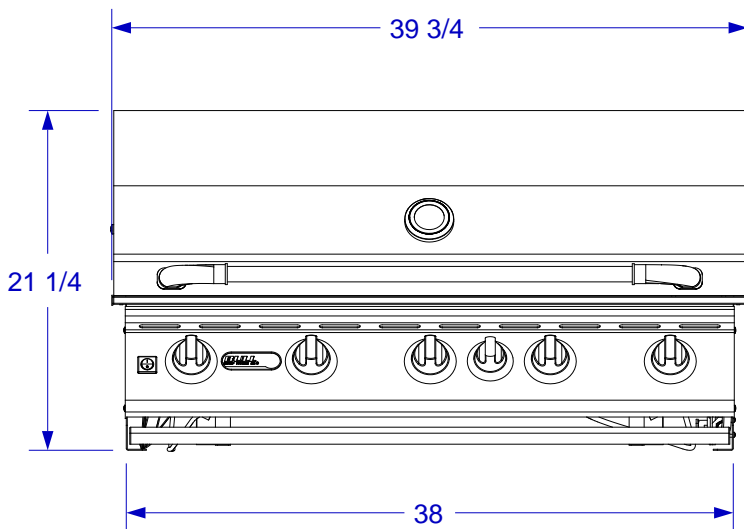
BRAHMA GRILL

SPEC SHEET

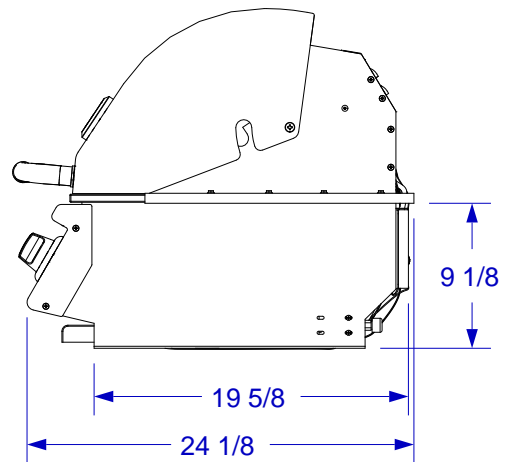
*ISLAND MUST BE CONSTRUCTED WITH NON-COMBUSTIBLE MATERIALS; REFER TO GRILL OWNERS MANUAL



ISOMETRIC VIEW



FRONT VIEW



RIGHT SIDE VIEW

NOTES:

- 1. CUTOUT DIMENSIONS: 38 1/2"W X 21"L X 10"D
- 2. SCALE: 1" = 1'-0"
- 3. REVISION: 01/2012