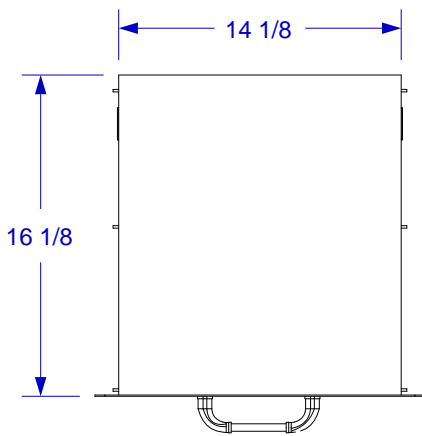
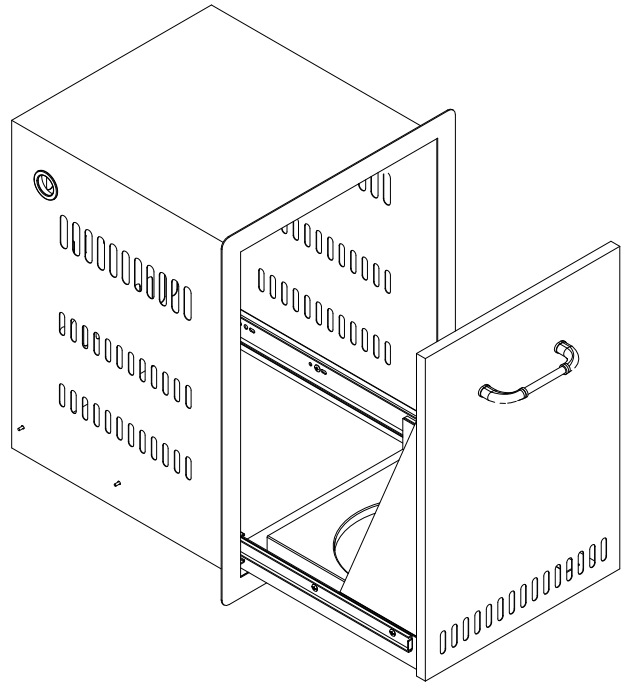




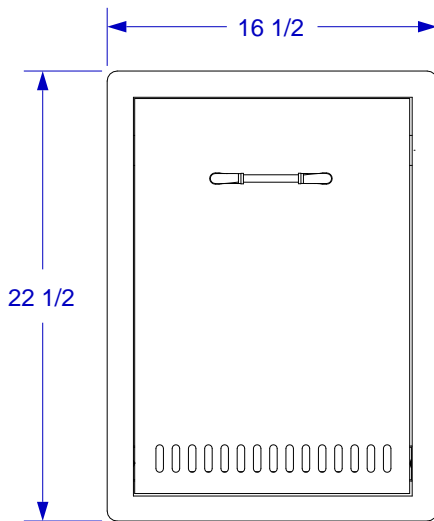
PROPANE/TRASH DRAWER SPEC SHEET



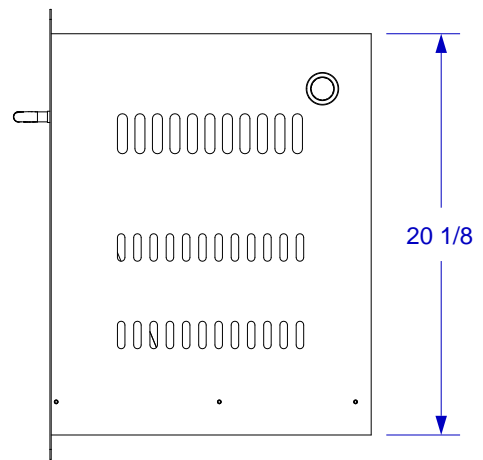
TOP VIEW



ISOMETRIC VIEW



FRONT VIEW



RIGHT SIDE VIEW

NOTES:

1. CUTOUT DIMENSIONS: 14 3/4" W X 20 1/2" L X 16 1/2" D

2. SCALE: 1 1/4" = 1'-0"

3. REVISION: 10/2009