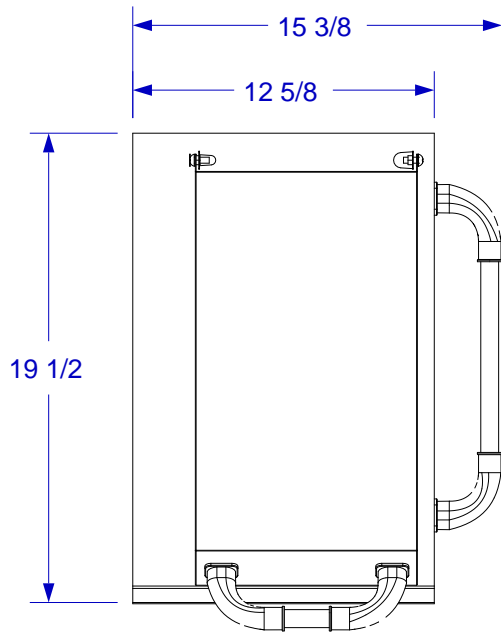
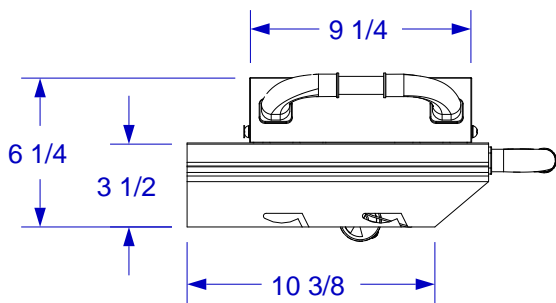
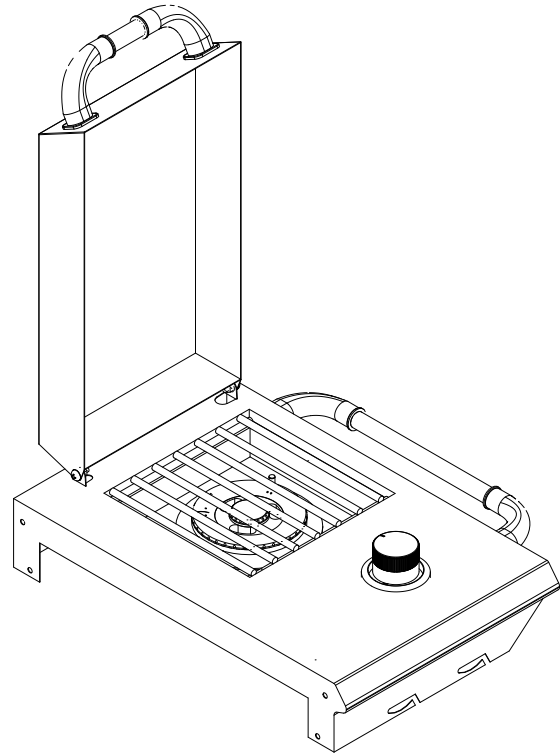




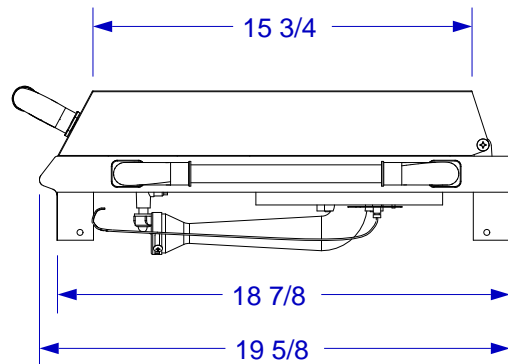
CARTSIDE BURNER SPEC SHEET



TOP VIEW



FRONT VIEW



RIGHT VIEW

NOTES:

1. SCALE: 1 1/2" = 1'-0"