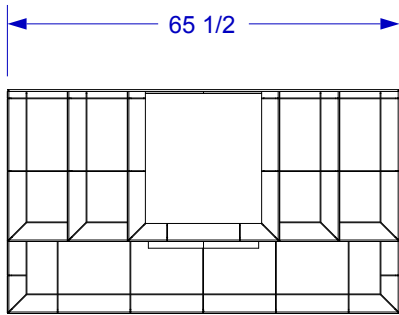
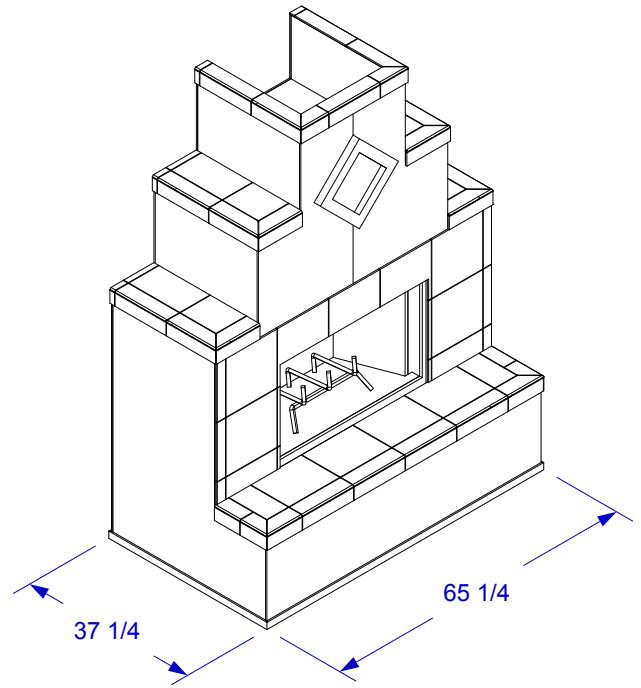




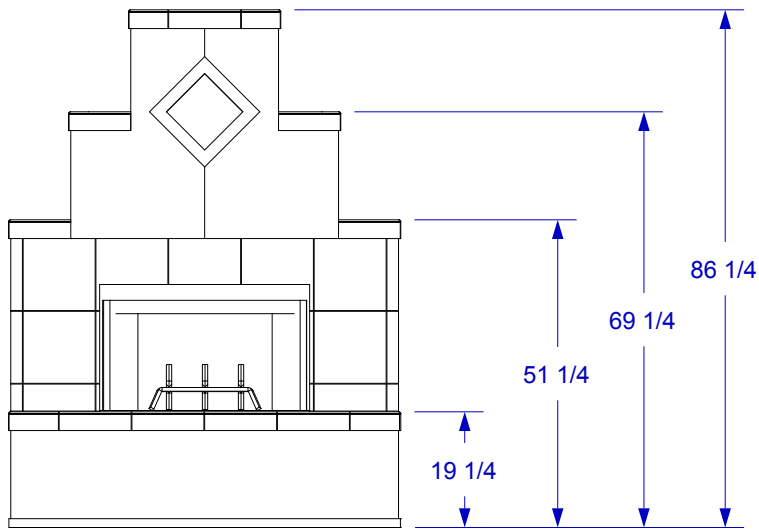
**WOOD BURNING**  
**FIRE PLACE**  
**SPEC SHEET**



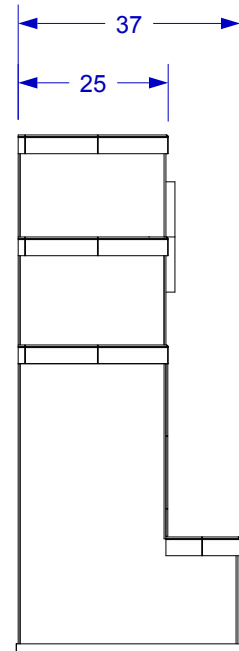
TOP VIEW



ISOMETRIC VIEW



FRONT VIEW



LEFT SIDE VIEW

NOTES:  
1. SCALE: 3/8" = 1'-0"